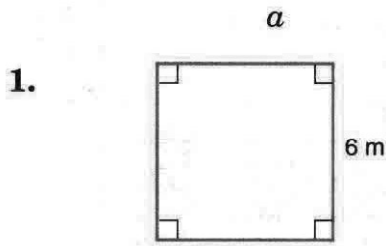


# CHAPTER 11 PRACTICE TEST

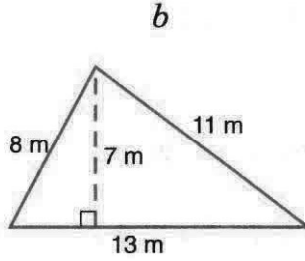
## Perimeter, Area, and Volume

Find the perimeter and area of each figure.



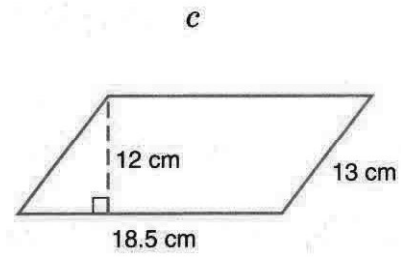
perimeter: \_\_\_\_\_ m

area: \_\_\_\_\_ m<sup>2</sup>



\_\_\_\_\_ m

\_\_\_\_\_ m<sup>2</sup>



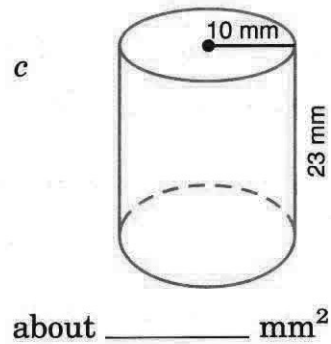
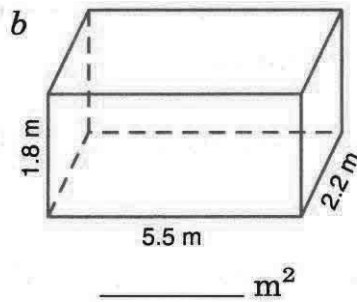
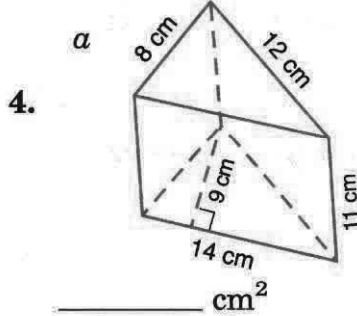
\_\_\_\_\_ cm

\_\_\_\_\_ cm<sup>2</sup>

Complete the table below. Use 3.14 for  $\pi$ . Find the approximate circumference and area.

	diameter	radius	approximate circumference	approximate area
2.	8 cm	_____ cm	about _____ cm	about _____ cm <sup>2</sup>
3.	_____ m	5 m	about _____ m	about _____ m <sup>2</sup>

Find the surface area of each figure. Use 3.14 for  $\pi$ .



Find the volume of each figure. Use 3.14 for  $\pi$ .

