

**GRADE 12 APPLIED
DESIGN & MEASUREMENT
SOLVING**

Name: _____

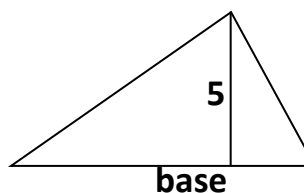
Date: _____

There are many ways to 'solve' a problem.

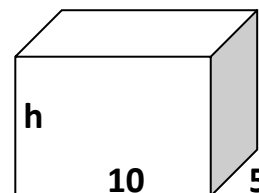
What does 'solve' mean? _____

List some ways you can solve a problem:

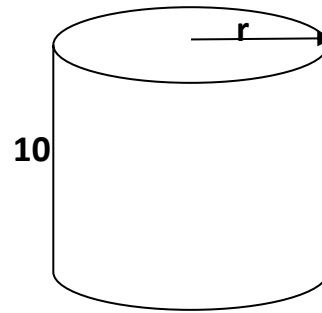
1. Solve; find the base length of the triangle if its height is 5 cm and its area is 22 cm^2 .



2. Solve; find the height, h , of the Rectangular Prism if its length is 10 in, its width is 5 in, and its volume is 124 in^3 .



3. Solve; find the radius, r , of the cylinder if the height is 10 cm and the Volume is 400 cm^3 .



4. Find the Height, h , of the cylinder if its Surface Area is 140 cm^2 .

